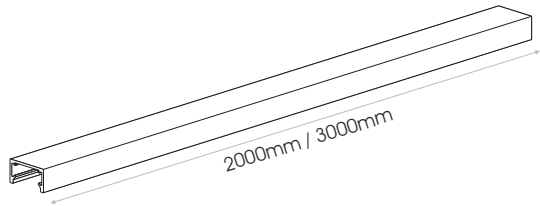
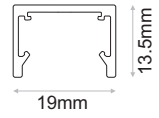
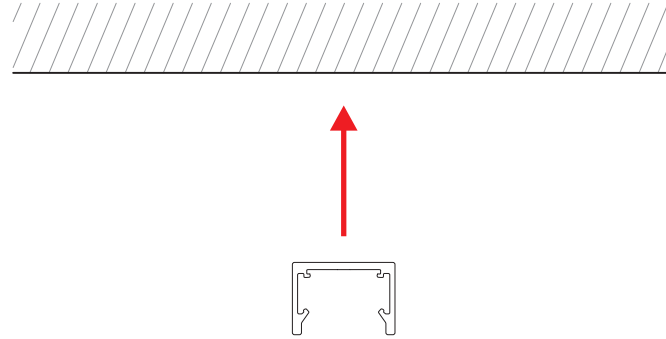


# NANO Surface Track

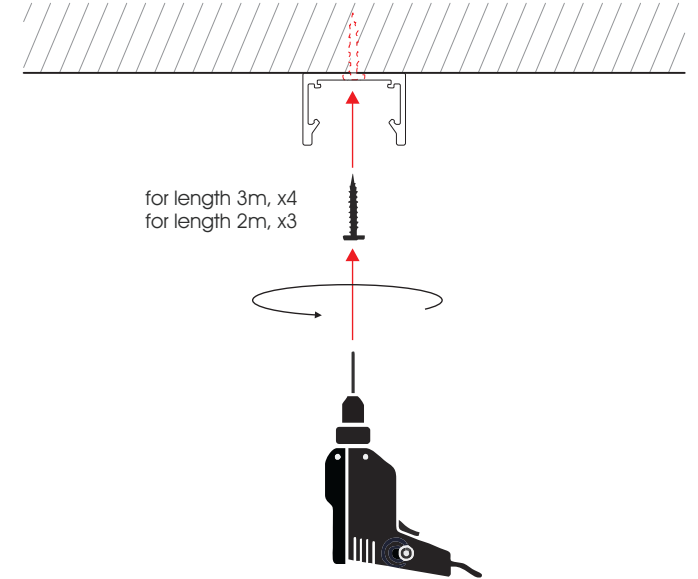
## Installation Manual



1



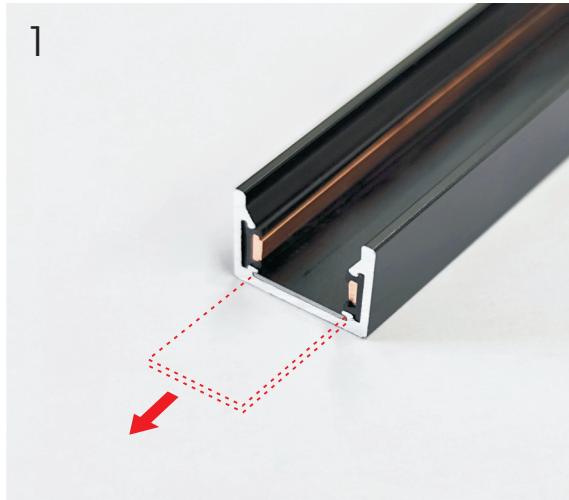
2



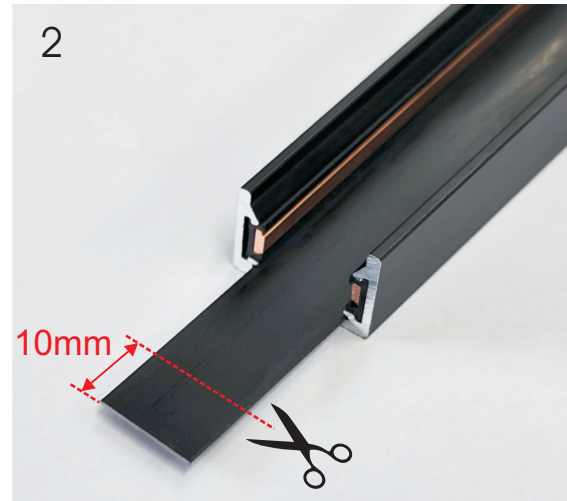
## Cutting the NANO Track

### Installation Manual

By cutting the NANO track to your desired length, you must create the appropriate gap between the edge of the track and the magnetic plate, in order to connect successfully the other accessory.



Pull out the magnetic plate.



Cut 10mm from the magnetic plate.



Pull back the magnetic plate.



Place the appropriate accessory.